

9

Various furniture fittings



BTW
Page: 2



FHO
Page: 3



Y
Page: 4



YG1
Page: 5



BSK
Page: 6



DOROBUMP
Page: 7



QF
Page: 9



UP
Page: 11



YP
Page: 12



BLN
Page: 13



PTC
Page: 14



SBN
Page: 15



SPK
Page: 16



TLB 1
Page: 17



TLB 2
Page: 18



TLB 3
Page: 19



TLB 4
Page: 20



TLB 5
Page: 21



RV
Page: 22

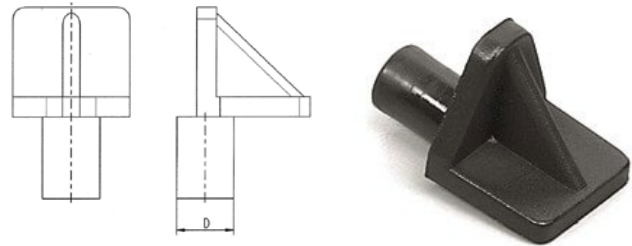


RV 1
Page: 23

Shelf supports

BTW

Application supports for shelves / spring mounting
Material polyamide



Order No.	Peg \varnothing	Color	packing unit	MOQ
	D			
080200050001000	5,0	black	1000	5000
080200060001000	6,0	black	1000	5000
080200070001000	7,0	black	5000	5000
080200080001000	8,0	black	1000	5000

Please note that the product illustrations are exemplary images that could deviate from the ordered/delivered products.

All of the dimensions are in mm should nothing to the contrary be stated.

* SW = Spanner opening, n.w. = not detachable, o. K. = excl. The head, o. B. = excl. The collar, m. R. = with the radius, MOQ = Minimum Order Quantity.



We exclusively sell to the trade and industry. Please note our minimum order quantities and the minimum order value per delivery.

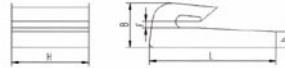
We would be pleased to send you an offer that is tailored to your needs should you require special colours, deviating dimensions, bioplastics, or larger order quantities.

Spring mounting

FHO



Application supports for shelves / spring mounting
Material polypropylene
Standard-Colour white



Order No.	Width	Height	Slot	Total length	Loop	Color	packing unit	MOQ
	B	H	F	L	b			
821040010003000	11,8	20,0	1,8	33,7	4,0	white	4000	8000

Please note that the product illustrations are exemplary images that could deviate from the ordered/delivered products.

All of the dimensions are in mm should nothing to the contrary be stated.

* SW = Spanner opening, n.w. = not detachable, o. K. = excl. The head, o. B. = excl. The collar, m. R. = with the radius, MOQ = Minimum Order Quantity.



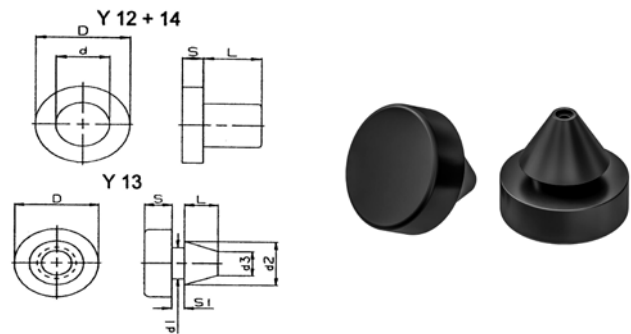
We exclusively sell to the trade and industry. Please note our minimum order quantities and the minimum order value per delivery.

We would be pleased to send you an offer that is tailored to your needs should you require special colours, deviating dimensions, bioplastics, or larger order quantities.

Stacking glides

Y

Application stacking glides
 Additional Info Attention! Please consider that not all glides have the same clamping ribs form
 Material polyethylene



Order No.	Head Ø	Thickness	Pin Ø	Length	Slot Ø	Slot width	Cone Ø	Cone Ø	Color	packing unit	MOQ
	D	S	d	L	d1	S1	d2	d3			
094143080001000	14,0	3,0	7,8	8,5	-	-	-	-	black	1000	0
094123060001000	12,0	3,0	5,8	7,0	-	-	-	-	black	1000	0
094136070001000	13,0	5,2	-	5,0	5,4	2,0	7,5	5,5	black	1000	0
094134080001000	13,1	4,5	-	5,5	7,0	2,0	9,3	5,3	black	1000	1000

Please note that the product illustrations are exemplary images that could deviate from the ordered/delivered products.
 All of the dimensions are in mm should nothing to the contrary be stated.

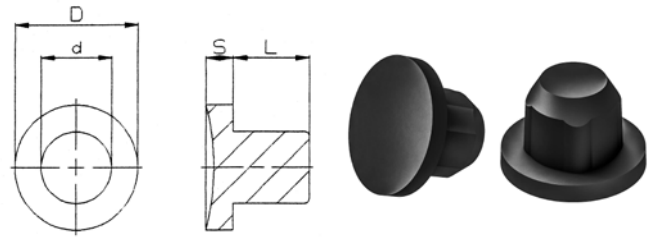
* SW = Spanner opening, n.w. = not detachable, o. K. = excl. The head, o. B. = excl. The collar, m. R. = with the radius, MOQ = Minimum Order Quantity.

We exclusively sell to the trade and industry. Please note our minimum order quantities and the minimum order value per delivery.
 We would be pleased to send you an offer that is tailored to your needs should you require special colours, deviating dimensions, bioplastics, or larger order quantities.

Glass rests

YG1

Application glass rests
Material polyvinyl chloride
Standard-Colour uncoloured



Order No.	Head Ø	Thickness	Pin Ø	Length	Color	packing unit	MOQ
	D	S	d	L			
095083040004000	8,0	2,5	4,0	6,0	nature	1000	0
095143080004000	14,0	3,0	8,0	7,0	nature	1000	0

Please note that the product illustrations are exemplary images that could deviate from the ordered/delivered products.

All of the dimensions are in mm should nothing to the contrary be stated.

* SW = Spanner opening, n.w. = not detachable, o. K. = excl. The head, o. B. = excl. The collar, m. R. = with the radius, MOQ = Minimum Order Quantity.



We exclusively sell to the trade and industry. Please note our minimum order quantities and the minimum order value per delivery.

We would be pleased to send you an offer that is tailored to your needs should you require special colours, deviating dimensions, bioplastics, or larger order quantities.

Self adhesive covers for drill holes

BSK

Application	self adhesive felts / damper / covers
Material	ABS
Standard-Colour	white, grey, black, ash, pine, oak, beech, walnut, cherry, mahogany



Order No.	Ø	Height	Color	packing unit	MOQ
ISKA0130001000	13	0,45	black	2000	2000
ISKA0130002000	13	0,45	grey	2000	2000
ISKA0130003000	13	0,45	white	2000	2000
ISKA0131272000	13	0,45	silver	2000	2000
ISKA0131992000	13	0,45	pine	2000	2000
ISKA0131993000	13	0,45	oak	2000	2000
ISKA0131994000	13	0,45	beech	2000	2000
ISKA0131995000	13	0,45	walnut	2000	2000
ISKA0131996000	13	0,45	cherry	2000	2000
ISKA0131997000	13	0,45	mahagoni	2000	2000
ISKA0131998000	13	0,45	ash	2000	2000
ISKA0200001000	20	0,45	black	900	900
ISKA0200002000	20	0,45	grey	900	900
ISKA0200003000	20	0,45	white	900	900
ISKA0201272000	20	0,45	silver	900	900
ISKA0201992000	20	0,45	pine	900	900
ISKA0201993000	20	0,45	oak	900	900
ISKA0201994000	20	0,45	beech	900	900
ISKA0201995000	20	0,45	walnut	900	900
ISKA0201996000	20	0,45	cherry	900	900
ISKA0201997000	20	0,45	mahagoni	900	900
ISKA0201998000	20	0,45	ash	900	900

Please note that the product illustrations are exemplary images that could deviate from the ordered/delivered products.

All of the dimensions are in mm should nothing to the contrary be stated.

* SW = Spanner opening, n.w. = not detachable, o. K. = excl. The head, o. B. = excl. The collar, m. R. = with the radius, MOQ = Minimum Order Quantity.

! We exclusively sell to the trade and industry. Please note our minimum order quantities and the minimum order value per delivery. We would be pleased to send you an offer that is tailored to your needs should you require special colours, deviating dimensions, bioplastics, or larger order quantities.

Universal, elastic pads (self adhesive glass rests)

DOROBUMP

Application self adhesive felts / damper / covers
Material polyurethane
Standard-Colour uncoloured, black



Order No.	∅	Height	Note	Color	packing unit	MOQ
DB30060004000	6,40	1,90	rund	nature	561	0
DB30080001000	8,00	2,20	rund	black	14400	10192
DB30080004000	8,00	2,20	rund	nature	392	0
DB30790001000	7,90	2,50	rund	black	13440	0
DB30790004000	7,90	2,50	rund	nature	392	0
DB30100001000	10,00	3,10	rund	black	288	0
DB30100004000	10,00	3,10	rund	nature	288	0
DB31150001000	11,10	5,00	rund	black	242	0
DB31150004000	11,10	5,00	rund	nature	242	0
DB31500001000	16,00	7,90	rund	black	128	0
DB31500004000	16,00	7,90	rund	nature	128	0
DB31900001000	19,00	9,50	rund	black	98	0
DB31900004000	19,00	9,50	rund	nature	98	0
DB30750001000	7,50	3,00	rund	black	288	0
DB30750004000	7,50	3,00	rund	nature	288	0
DB31200001000	10,10	1,80	rund	black	288	0
DB31200004000	10,10	1,80	rund	nature	288	0
DB31220001000	12,70	1,80	rund	black	200	0
DB31220004000	12,70	1,80	rund	nature	200	0
DB31250004000	12,70	3,50	rund	nature	200	0
DB30140001000	14,00	4,50	rund	black	128	0
DB30140004000	14,00	4,50	rund	nature	128	0
DB31910001000	19,00	1,90	rund	black	98	0
DB31910004000	19,00	1,90	rund	nature	98	0
DB31000001000	10,00 x 10,00	2,50	eckig	black	242	0
DB31000004000	10,00 x 10,00	2,50	eckig	nature	242	0
DB31270001000	12,70 x 12,70	3,10	eckig	black	200	0
DB31270004000	12,70 x 12,70	3,10	eckig	nature	200	0
DB31260001000	12,60 x 12,60	5,70	eckig	black	200	0
DB31260004000	12,60 x 12,60	5,70	eckig	nature	200	0
DB32050001000	20,50 x 20,50	7,50	eckig	black	78	0
DB32050004000	20,50 x 20,50	7,50	eckig	nature	78	0

Please note that the product illustrations are exemplary images that could deviate from the ordered/delivered products.
All of the dimensions are in mm should nothing to the contrary be stated.

* SW = Spanner opening, n.w. = not detachable, o. K. = excl. The head, o. B. = excl. The collar, m. R. = with the radius, MOQ = Minimum Order Quantity.

! We exclusively sell to the trade and industry. Please note our minimum order quantities and the minimum order value per delivery.
We would be pleased to send you an offer that is tailored to your needs should you require special colours, deviating dimensions, bioplastics, or larger order quantities.

Universal, elastic pads (self adhesive glass rests)

DOROBUMP

Application self adhesive felts / damper / covers
Material polyurethane
Standard-Colour uncoloured, black



Order No.	∅	Height	Note	Color	packing unit	MOQ
DB32040001000	19,70	3,00	rund	black	84	0
DB32040004000	19,70	3,00	rund	nature	84	0
DB30240001000	19,00	4,00	rund	black	1008	1008
DB30240004000	19,00	4,00	rund	nature	1008	1008
DB30190001000	19,00	6,00	rund	black	84	0
DB30190004000	19,00	6,00	rund	nature	84	0
DB30200001000	20,00	6,20	rund	black	84	0
DB30200004000	20,00	6,20	rund	nature	84	0
DB32100001000	22,30	10,10	rund	black	72	0
DB32100004000	22,30	10,10	rund	nature	72	0

Please note that the product illustrations are exemplary images that could deviate from the ordered/delivered products.

All of the dimensions are in mm should nothing to the contrary be stated.

* SW = Spanner opening, n.w. = not detachable, o. K. = excl. The head, o. B. = excl. The collar, m. R. = with the radius, MOQ = Minimum Order Quantity.

We exclusively sell to the trade and industry. Please note our minimum order quantities and the minimum order value per delivery. We would be pleased to send you an offer that is tailored to your needs should you require special colours, deviating dimensions, bioplastics, or larger order quantities.

Self adhesive felts

QF

Application self adhesive felts / damper / covers
Material felt
Standard-Colour white, brown



Order No.	Dimension mm	Height	Pieces per sheet	Color	packing unit	MOQ
ISKF000010350003000	Ø 10	1,5	108	white	5076	0
ISKF000010351059000	Ø 10	1,5	108	brown	5076	0
ISKF000014350003000	Ø 14	3,5	60	white	1500	0
ISKF000014351059000	Ø 14	3,5	60	brown	1500	0
ISKF000016350003000	Ø 16	3,5	50	white	1000	0
ISKF000016351059000	Ø 16	3,5	50	brown	1000	0
ISKF000018350003000	Ø 18	3,5	40	white	1000	0
ISKF000018351059000	Ø 18	3,5	40	brown	1000	0
ISKF000020350003000	Ø 20	3,5	50	white	1000	0
ISKF000020351059000	Ø 20	3,5	50	brown	1000	0
ISKF000022350003000	Ø 22	3,5	50	white	1000	0
ISKF000022351059000	Ø 22	3,5	50	brown	1000	0
ISKF000024350003000	Ø 24	3,5	36	white	1008	0
ISKF000024351059000	Ø 24	3,5	36	brown	1008	0
ISKF000026350003000	Ø 26	3,5	32	white	1024	0
ISKF000026351059000	Ø 26	3,5	32	brown	1024	0
ISKF000028350003000	Ø 28	3,5	24	white	1008	0
ISKF000028351059000	Ø 28	3,5	24	brown	1008	0
ISKF000030350003000	Ø 30	3,5	21	white	1008	0
ISKF000030351059000	Ø 30	3,5	21	brown	1008	0
ISKF000032350003000	Ø 32	3,5	14	white	700	0
ISKF000032351059000	Ø 32	3,5	14	brown	700	0
ISKF000036350003000	Ø 36	3,5	18	white	504	0
ISKF000036351059000	Ø 36	3,5	18	brown	504	0
ISKF000040350003000	Ø 40	3,5	12	white	504	5040
ISKF000040351059000	Ø 40	3,5	12	brown	504	5040
ISKF000045350003000	Ø 45	3,5	10	white	500	0
ISKF000045351059000	Ø 45	3,5	10	brown	500	0
ISKF000050350003000	Ø 50	3,5	8	white	400	0
ISKF000050351059000	Ø 50	3,5	8	brown	400	0
ISKF000060350003000	Ø 60	3,5	8	white	400	0
ISKF000060351059000	Ø 60	3,5	8	brown	400	0

Please note that the product illustrations are exemplary images that could deviate from the ordered/delivered products.
All of the dimensions are in mm should nothing to the contrary be stated.

* SW = Spanner opening, n.w. = not detachable, o. K. = excl. The head, o. B. = excl. The collar, m. R. = with the radius, MOQ = Minimum Order Quantity.

! We exclusively sell to the trade and industry. Please note our minimum order quantities and the minimum order value per delivery.
We would be pleased to send you an offer that is tailored to your needs should you require special colours, deviating dimensions, bioplastics, or larger order quantities.

Self adhesive felts

QF

Application self adhesive felts / damper / covers
 Material felt
 Standard-Colour white, brown



Order No.	Dimension mm	Height	Pieces per sheet	Color	packing unit	MOQ
ISKF020020350003000	20 x 20	3,5	50	white	1000	0
ISKF020020351059000	20 x 20	3,5	50	brown	1000	0
ISKF025025350003000	25 x 25	3,5	32	white	1024	0
ISKF025025351059000	25 x 25	3,5	32	brown	1024	0
ISKF030030350003000	30 x 30	3,5	21	white	1008	0
ISKF030030351059000	30 x 30	3,5	21	brown	1008	0
ISKF034034350003000	34 x 34	3,5	12	white	504	0
ISKF034034351059000	34 x 34	3,5	12	brown	504	0
ISKF040040350003000	40 x 40	3,5	12	white	504	0
ISKF040040351059000	40 x 40	3,5	12	brown	504	0
ISKF045045350003000	45 x 45	3,5	10	white	500	0
ISKF045045351059000	45 x 45	3,5	10	brown	500	0
ISKF050050350003000	50 x 50	3,5	8	white	400	0
ISKF050050351059000	50 x 50	3,5	8	brown	1600	1600
ISKF030020350003000	30 x 20	3,5	28	white	1008	0
ISKF030020351059000	30 x 20	3,5	28	brown	1008	0
ISKF035025350003000	35 x 25	3,5	20	white	1008	0
ISKF035025351059000	35 x 25	3,5	20	brown	1008	0
ISKF040020350003000	40 x 20	3,5	36	white	1000	0
ISKF040020351059000	40 x 20	3,5	36	brown	1000	0
ISKF050025350003000	50 x 25	3,5	18	white	900	0
ISKF050025351059000	50 x 25	3,5	18	brown	900	0

Please note that the product illustrations are exemplary images that could deviate from the ordered/delivered products.

All of the dimensions are in mm should nothing to the contrary be stated.

* SW = Spanner opening, n.w. = not detachable, o. K. = excl. The head, o. B. = excl. The collar, m. R. = with the radius, MOQ = Minimum Order Quantity.



We exclusively sell to the trade and industry. Please note our minimum order quantities and the minimum order value per delivery.

We would be pleased to send you an offer that is tailored to your needs should you require special colours, deviating dimensions, bioplastics, or larger order quantities.

Self adhesive universal pads

UP

Application self adhesive felts / damper / covers
Material EVA
Standard-Colour transparent



Order No.	Diameter	Height	Pieces per sheet	Color	packing unit	MOQ
DBI07150009000	7	1,5	100	transparent	1000	0
DBI08160009000	8	1,6	100	transparent	100	0
DBI10150009000	10	1,5	100	transparent	1000	1000
DBI10300009000	10	3,0	100	transparent	1000	0
DBI13400009000	13 (konisch / conical)	4,0	80	transparent	4000	0

Please note that the product illustrations are exemplary images that could deviate from the ordered/delivered products.

All of the dimensions are in mm should nothing to the contrary be stated.

* SW = Spanner opening, n.w. = not detachable, o. K. = excl. The head, o. B. = excl. The collar, m. R. = with the radius, MOQ = Minimum Order Quantity.



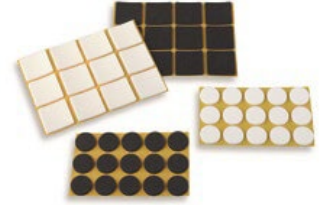
We exclusively sell to the trade and industry. Please note our minimum order quantities and the minimum order value per delivery.

We would be pleased to send you an offer that is tailored to your needs should you require special colours, deviating dimensions, bioplastics, or larger order quantities.

Self adhesive anti-slip pads

YP

Application self adhesive felts / damper / covers
Material EPDM
Standard-Colour white, black



Order No.	Dimension	Height	Pieces per sheet	Color	packing unit	MOQ
ISKP000020250001000	Ø 20	2,5	50	black	1000	0
ISKP000020250003000	Ø 20	2,5	50	white	1000	0
ISKP000040250001000	Ø 40	2,5	12	black	504	0
ISKP000040250003000	Ø 40	2,5	12	white	504	0
ISKP030030250001000	30 x 30	2,5	21	black	1008	0
ISKP030030250003000	30 x 30	2,5	21	white	1008	0

Please note that the product illustrations are exemplary images that could deviate from the ordered/delivered products.

All of the dimensions are in mm should nothing to the contrary be stated.

* SW = Spanner opening, n.w. = not detachable, o. K. = excl. The head, o. B. = excl. The collar, m. R. = with the radius, MOQ = Minimum Order Quantity.



We exclusively sell to the trade and industry. Please note our minimum order quantities and the minimum order value per delivery.

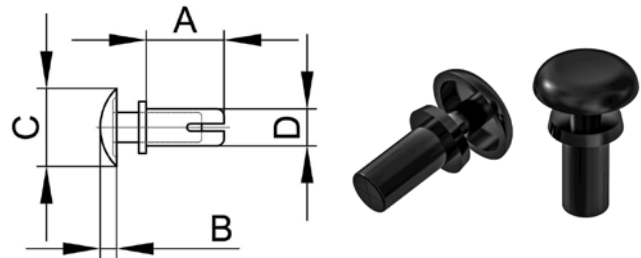
We would be pleased to send you an offer that is tailored to your needs should you require special colours, deviating dimensions, bioplastics, or larger order quantities.



Blind rivets

BLN

Application fasteners
 Additional Info simple finger pressure mounting, releasable
 Material polyamide 6.6



Order No.	Mounting hole \varnothing	Clamping range	Shaft length	Head height	Head \varnothing	Color	packing unit	MOQ
			A	B	C			
056100280001000	4,1	5,5-6,5	8,0	1,8	8,0	black	1000	1000
H90220001000	2,7	1,8-2,6	4,0	1,4	5,0	black	1000	0
H90300001000	3,1	2,0-3,0	4,5	1,6	6,4	black	1000	0
H90340001000	3,1	4,0-5,0	6,5	1,6	6,4	black	1000	0
H90580001000	4,1	2,5-3,5	5,0	1,8	8,0	black	1000	0
H90600001000	4,1	3,5-4,5	6,0	1,8	8,0	black	500	0
H90620001000	4,1	4,5-5,5	7,0	1,8	8,0	black	500	0
H90700001000	5,1	1,5-2,5	4,5	2,2	9,0	black	500	0
H90740001000	5,1	3,5-4,5	6,5	2,2	9,0	black	1000	0
H90760001000	5,1	4,5-5,5	7,5	2,2	9,0	black	1000	0
H90780001000	5,1	5,5-6,5	8,5	2,2	9,0	black	1000	0
H90820001000	5,1	7,5-8,5	10,5	2,2	9,0	black	2000	2000

Please note that the product illustrations are exemplary images that could deviate from the ordered/delivered products.

All of the dimensions are in mm should nothing to the contrary be stated.

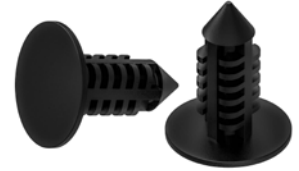
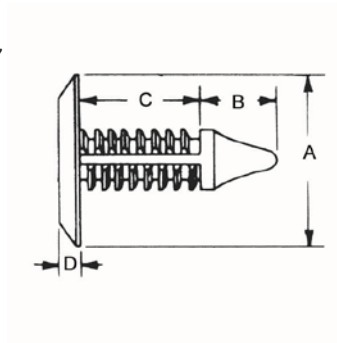
* SW = Spanner opening, n.w. = not detachable, o. K. = excl. The head, o. B. = excl. The collar, m. R. = with the radius, MOQ = Minimum Order Quantity.

! We exclusively sell to the trade and industry. Please note our minimum order quantities and the minimum order value per delivery.
 We would be pleased to send you an offer that is tailored to your needs should you require special colours, deviating dimensions, bioplastics, or larger order quantities.

Pine-tree clips

PTC

Application	fasteners
Additional Info	self-centering fastener for unthreaded holes and blind holes, simple finger pressure mounting
Material	polyamide 6.6



Order No.	Mounting hole Ø	Clamping range	Head Ø	Length tip	Shaft length	Head height	Special features	Head shape	Color	packing unit	MOQ
					ripped section						
			A	B	C						
H270240200001000	3,0	4,0-12,0	5,5	2,3	14,5	1,5	-	2	black	1000	0
056100200001000	6,7	2,4-10,0	16,4	6,2	10,4	1,5	-	2	black	1000	0
H270240300001000	5,0	1,7-8,0	11,0	3,4	9,2	1,0	-	2	black	1000	0
H270241000001000	6,4	3,6-10,0	15,9	2,0	14,5	1,5	-	1	black	1000	0
H270241700001000	7,0	3,5-20,0	19,0	4,5	22,9	1,5	-	1	black	500	0
H270242500001000	5,0	1,6-6,4	10,0	3,7	8,3	1,0	n. w.	1	black	1000	0
H270242900001000	10,0	1,5-20,0	21,5	5,7	22,6	4,0	n. w.	1	black	1000	0

Please note that the product illustrations are exemplary images that could deviate from the ordered/delivered products.

All of the dimensions are in mm should nothing to the contrary be stated.

* SW = Spanner opening, n.w. = not detachable, o. K. = excl. The head, o. B. = excl. The collar, m. R. = with the radius, MOQ = Minimum Order Quantity.



We exclusively sell to the trade and industry. Please note our minimum order quantities and the minimum order value per delivery.

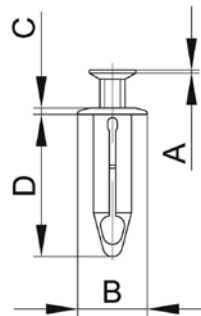
We would be pleased to send you an offer that is tailored to your needs should you require special colours, deviating dimensions, bioplastics, or larger order quantities.



Screw type blind rivets

SBN

Application	fasteners
Additional Info	for bonding metal, wood or plastic, assembly by pressure on the rivet head, disassembly with screwdriver
Material	polyoxymethylene



Order No.	Mounting hole \varnothing	Clamping range	Pin head height A	Flange \varnothing B	Flange height C	Shaft length D	Color	packing unit	MOQ
H270260100001000	4,5-4,8	8,4 -9,9	0,0	9,7	1,5	18,3	black	6500	6500
H270260400001000	5,8-6,1	3,0-5,0	2,5	11,0	1,5	17,5	black	250	0
H270260600001000	6,3-6,8	2,5-8,0	0,8	17,8	2,8	22,8	black	1000	0
H270260700001000	6,3-6,8	2,5-8,5	0,8	15,5	3,0	22,8	black	1000	0
H270261000001000	8,0-8,5	3,5-8,5	0,8	15,0	3,0	20,0	black	1000	0

Please note that the product illustrations are exemplary images that could deviate from the ordered/delivered products.

All of the dimensions are in mm should nothing to the contrary be stated.

* SW = Spanner opening, n.w. = not detachable, o. K. = excl. The head, o. B. = excl. The collar, m. R. = with the radius, MOQ = Minimum Order Quantity.



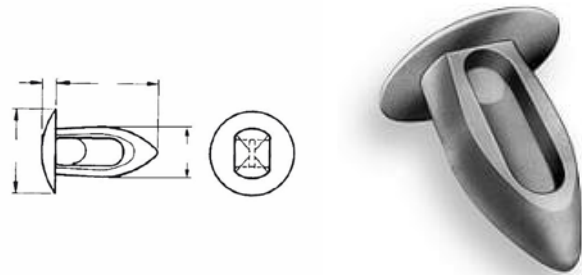
We exclusively sell to the trade and industry. Please note our minimum order quantities and the minimum order value per delivery.

We would be pleased to send you an offer that is tailored to your needs should you require special colours, deviating dimensions, bioplastics, or larger order quantities.

Arrow clips

SPK

Application	fasteners
Additional Info	simple finger pressure mounting, reuseable
Material	polyamide 6.6
Standard-Colour	uncoloured



Order No.	Mounting hole \varnothing	Clamping range	Shaft length	Head height	Head \varnothing	Shaft width	Color	packing unit	MOQ
			A	B	C	D			
H03010004000	4,6-4,9	1,6-3,2	10,7	1,5	9,4	5,7	nature	1000	0
056100240004000	5,4-5,6	1,6-3,2	11,5	1,5	9,4		nature	1000	1000
056100250004000	3,3-3,4	1,6-3,2	9,9	1,5	7,1		nature	1000	1000
H03020004000	3,3-3,4	1,6-3,2	9,9	1,5	7,1	4,1	nature	1000	0
H03040004000	3,8-4,1	1,6-3,7	10,2	1,5	7,1	4,6	nature	1000	0
H03050004000	5,4-5,6	3,2-4,7	13,7	1,5	9,4	6,3	nature	1000	0
H03070004001	5,4-5,6	1,6-3,2	11,4	1,5	9,4	5,7	nature	1000	0
H03090004000	6,4-6,6	3,2-4,7	14,6	1,5	12,3	7,4	nature	1000	0
H03110004000	4,6-4,9	4,2-4,7	13,2	1,5	9,4	5,2	nature	1000	0
H03130004000	3,3-3,4	3,2-3,6	8,1	1,5	7,1	4,1	nature	1000	0
H03140004000	3,7	7,4-7,6	13,5	1,5	7,1	5,0	nature	1000	0
H03150004000	3,0-3,1	1,6-3,2	9,9	1,5	7,1	3,8	nature	1000	0
H03160004000	6,4-6,6	9,1-9,7	20,6	1,7	15,5	6,2	nature	500	0
H03170004000	8,4-8,5	1,6-8,6	22,9	1,8	17,3	9,5	nature	500	0

Please note that the product illustrations are exemplary images that could deviate from the ordered/delivered products.

All of the dimensions are in mm should nothing to the contrary be stated.

* SW = Spanner opening, n.w. = not detachable, o. K. = excl. The head, o. B. = excl. The collar, m. R. = with the radius, MOQ = Minimum Order Quantity.



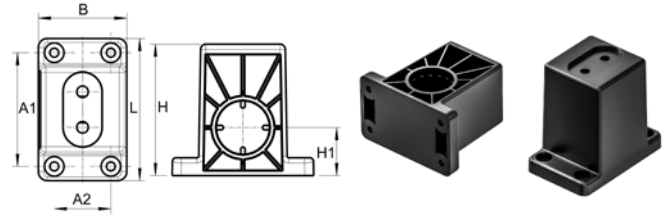
We exclusively sell to the trade and industry. Please note our minimum order quantities and the minimum order value per delivery.

We would be pleased to send you an offer that is tailored to your needs should you require special colours, deviating dimensions, bioplastics, or larger order quantities.

Table bearing mountings

TLB 1

Application bearing blocks
Material PP
Standard-Colour black, grey brown similar to RAL 8019



Order No.	Height H	Height H1	Hole \varnothing	Width B	Spacing A1 / A2	Length L	Color	packing unit	MOQ
098070250001000	74	27	30	50	64 / 32	80	black	250	0
098070251076000	74	27	30	50	64 / 32	80	brown	250	0
098070260001000	74	47	30	50	64 / 32	80	black	250	0
098070261076000	74	47	30	50	64 / 32	80	brown	250	0
098070290001000	56	27	30	50	64 / 32	80	black	250	0
098070291076000	56	27	30	50	64 / 32	80	brown	250	0

Please note that the product illustrations are exemplary images that could deviate from the ordered/delivered products.

All of the dimensions are in mm should nothing to the contrary be stated.

* SW = Spanner opening, n.w. = not detachable, o. K. = excl. The head, o. B. = excl. The collar, m. R. = with the radius, MOQ = Minimum Order Quantity.

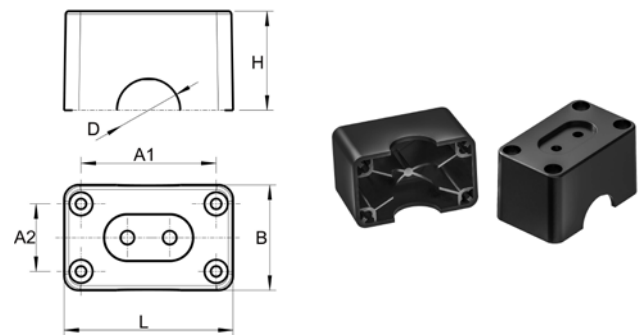
We exclusively sell to the trade and industry. Please note our minimum order quantities and the minimum order value per delivery. We would be pleased to send you an offer that is tailored to your needs should you require special colours, deviating dimensions, bioplastics, or larger order quantities.



Half-shell table bearing mountings

TLB 2

Application bearing blocks
 Material PA
 Standard-Colour black, grey brown similar to RAL 8019



Order No.	Height	Spacing	∅	Length	Width	Color	packing unit	MOQ
	H	A1 / A2	D	L	B			
098070180001000	27	64 / 32	30	80	50	black	500	0
098070181076000	27	64 / 32	30	80	50	brown	500	0
098070200001000	47	64 / 32	30	80	50	black	250	0
098070201076000	47	64 / 32	30	80	50	brown	250	0

Please note that the product illustrations are exemplary images that could deviate from the ordered/delivered products.

All of the dimensions are in mm should nothing to the contrary be stated.

* SW = Spanner opening, n.w. = not detachable, o. K. = excl. The head, o. B. = excl. The collar, m. R. = with the radius, MOQ = Minimum Order Quantity.



We exclusively sell to the trade and industry. Please note our minimum order quantities and the minimum order value per delivery.

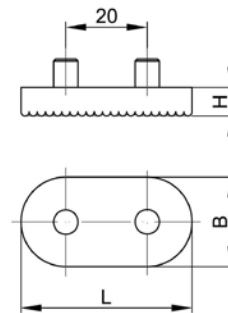
We would be pleased to send you an offer that is tailored to your needs should you require special colours, deviating dimensions, bioplastics, or larger order quantities.



Stacking pads for table bearing mountings

TLB 3

Application bearing blocks
Material PE
Standard-Colour uncoloured, black



Order No.	Length	Width	Height	Color	packing unit	MOQ
	L	B	H			
098070210004001	42	22	7	nature	250	0
098070210001000	42	22	7	black	250	0

Please note that the product illustrations are exemplary images that could deviate from the ordered/delivered products.

All of the dimensions are in mm should nothing to the contrary be stated.

* SW = Spanner opening, n.w. = not detachable, o. K. = excl. The head, o. B. = excl. The collar, m. R. = with the radius, MOQ = Minimum Order Quantity.



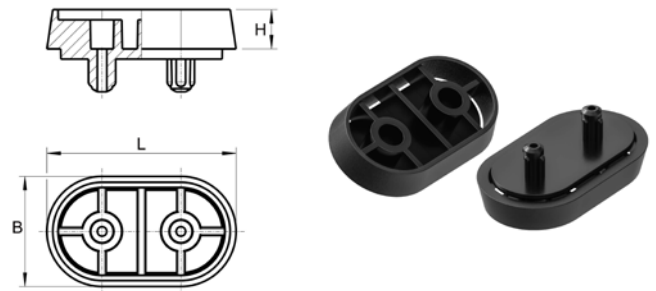
We exclusively sell to the trade and industry. Please note our minimum order quantities and the minimum order value per delivery.

We would be pleased to send you an offer that is tailored to your needs should you require special colours, deviating dimensions, bioplastics, or larger order quantities.

Adapters for table bearing mountings

TLB 4

Application bearing blocks
 Material PE
 Standard-Colour black, grey brown similar to RAL 8019



Order No.	Length	Width	Height	Color	packing unit	MOQ
	L	B	H			
098070230001001	48	28	10	black	250	0
098070231076001	48	28	10	brown	250	0

Please note that the product illustrations are exemplary images that could deviate from the ordered/delivered products.

All of the dimensions are in mm should nothing to the contrary be stated.

* SW = Spanner opening, n.w. = not detachable, o. K. = excl. The head, o. B. = excl. The collar, m. R. = with the radius, MOQ = Minimum Order Quantity.



We exclusively sell to the trade and industry. Please note our minimum order quantities and the minimum order value per delivery.

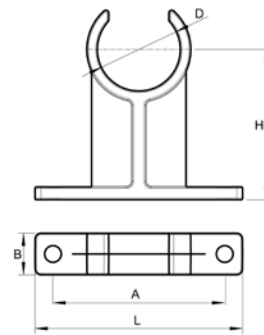
We would be pleased to send you an offer that is tailored to your needs should you require special colours, deviating dimensions, bioplastics, or larger order quantities.



Retaining clips for table bearing mountings

TLB 5

Application bearing blocks
 Material PA
 Standard-Colour black, grey brown similar to RAL 8019



Order No.	For tube \varnothing	Length	Width	Height	Hole spacing	Color	packing unit	MOQ
	D	L	W	H	A			
098070270001001	30	72	14	27	60	black	250	0
098070271076000	30	72	14	27	60	brown	1000	0
098070280001000	30	72	14	54	60	black	250	0
098070281076000	30	72	14	54	60	brown	250	0

Please note that the product illustrations are exemplary images that could deviate from the ordered/delivered products.

All of the dimensions are in mm should nothing to the contrary be stated.

* SW = Spanner opening, n.w. = not detachable, o. K. = excl. The head, o. B. = excl. The collar, m. R. = with the radius, MOQ = Minimum Order Quantity.



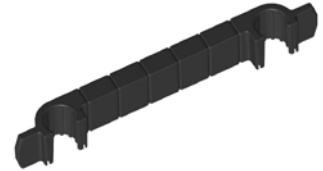
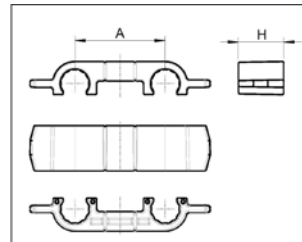
We exclusively sell to the trade and industry. Please note our minimum order quantities and the minimum order value per delivery.

We would be pleased to send you an offer that is tailored to your needs should you require special colours, deviating dimensions, bioplastics, or larger order quantities.

Row connectors

RV

Application row connectors
 Material PP



Order No.	For tube outside Ø	Spacing	Height	Color	packing unit	MOQ
		A	H			
098018600001000	18	60	30	black	200	1000
098018800001000	18	80	30	black	200	1000
098018100001000	18	100	30	black	100	900
098018120001000	18	120	30	black	100	900
098018140001000	18	140	30	black	100	900
098018160001000	18	160	30	black	100	900
098020600001000	20	60	30	black	200	800
098020800001000	20	80	30	black	200	800
098020100001000	20	100	30	black	200	800
098020120001000	20	120	30	black	200	800
098020140001000	20	140	30	black	200	800
098020160001000	20	160	30	black	200	800
098022600001000	22	60	30	black	200	800
098022800001000	22	80	30	black	200	800
098022100001000	22	100	30	black	200	1000
098022120001000	22	120	30	black	200	800
098022140001000	22	140	30	black	200	1000
098022160001000	22	160	30	black	200	800
098025600001000	25	60	30	black	200	800
098025800001000	25	80	30	black	200	800
098025100001000	25	100	30	black	200	800
098025120001000	25	120	30	black	200	800
098025140001000	25	140	30	black	200	1000
098025160001000	25	160	30	black	200	800

Please note that the product illustrations are exemplary images that could deviate from the ordered/delivered products.

All of the dimensions are in mm should nothing to the contrary be stated.

* SW = Spanner opening, n.w. = not detachable, o. K. = excl. The head, o. B. = excl. The collar, m. R. = with the radius, MOQ = Minimum Order Quantity.

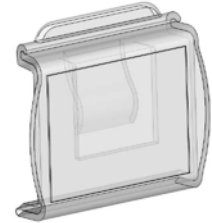
! We exclusively sell to the trade and industry. Please note our minimum order quantities and the minimum order value per delivery. We would be pleased to send you an offer that is tailored to your needs should you require special colours, deviating dimensions, bioplastics, or larger order quantities.



Marking clip

RV 1

Application row connectors
Material PP
Standard-Colour translucent



Order No.	Width	Height	Depth	Labeling text field	Color	packing unit	MOQ
		H					
098012000009000	47	42	10	38,1 x 25,4	translucent	500	1500

Please note that the product illustrations are exemplary images that could deviate from the ordered/delivered products.

All of the dimensions are in mm should nothing to the contrary be stated.

* SW = Spanner opening, n.w. = not detachable, o. K. = excl. The head, o. B. = excl. The collar, m. R. = with the radius, MOQ = Minimum Order Quantity.



We exclusively sell to the trade and industry. Please note our minimum order quantities and the minimum order value per delivery.

We would be pleased to send you an offer that is tailored to your needs should you require special colours, deviating dimensions, bioplastics, or larger order quantities.