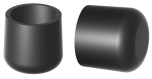
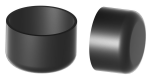


2

Caps

**A**

Page: 2

**A-PVC**

Page: 4

**AS-PVC**

Page: 5

**UD**

Page: 6

**FOK**

Page: 7

**U**

Page: 8

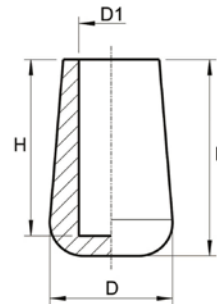


Caps for round tubes

A



Application for round tubes
Material Polyethylene
Standard-Colour black, white



Order No.	Article	Head \varnothing	Inside \varnothing	Length	Height	Color	packing unit	MOQ
		D	D1	L	H			
050000030001001	A 3	5,5	2,9	8,8	7,9	black	1000	10000
050000030003001	A 3	5,5	2,9	8,8	7,9	white	1000	30000
050000040001001	A 4	5,5	3,9	8,8	8,0	black	1000	25000
050000040003001	A 4	5,5	3,9	8,8	8,0	white	1000	25000
050000050001000	A 5	7,5	5,0	8,0	6,7	black	10000	30000
050000050003000	A 5	7,5	5,0	8,0	6,7	white	10000	30000
050000060001001	A 6	7,5	5,9	12,0	9,5	black	1000	0
050000060003001	A 6	7,5	5,9	12,0	9,5	white	2500	20000
050006500001001	A 6,5	9,1	6,4	10,7	8,0	black	1000	20000
050006500003001	A 6,5	9,1	6,4	10,7	8,0	white	1000	20000
050000070001001	A 7	9,1	6,9	10,7	8,0	black	1000	20000
050000070003001	A 7	9,1	6,9	10,7	8,0	white	1000	10000
050000080001000	A 8	11,5	7,9	13,0	11,4	black	10000	10000
050000080003000	A 8	11,5	7,9	13,0	11,4	white	1000	30000
050000100001000	A 10	13,4	9,7	14,6	12,1	black	5000	0
050000100003000	A 10	13,4	9,7	14,6	12,1	white	10000	20000
050000110001000	A 11	15,5	10,9	16,0	13,2	black	10000	10000
050000110003000	A 11	15,5	10,9	16,0	13,2	white	10000	10000
050000120001000	A 12	15,5	11,9	16,2	12,9	black	10000	10000
050000120003000	A 12	15,5	11,9	16,2	12,9	white	10000	10000
050000130001000	A 13	16,5	12,9	18,0	14,0	black	10000	10000
050000130003000	A 13	16,5	12,9	18,0	14,0	white	10000	10000
050000140003000	A 14	17,0	13,7	16,0	13,2	white	5000	10000
050000140001000	A 14	17,0	13,7	16,0	13,2	black	5000	0
050000160003000	A 16	19,7	15,9	21,2	17,0	white	5000	20000
050000160001000	A 16	19,7	15,9	21,2	17,0	black	5000	0
050001180001000	A 18	22,0	17,5	26,1	24,4	black	2500	0
050000190003001	A 19	22,3	18,8	23,2	9,2	white	1000	15000
050000190001000	A 19	22,3	18,8	23,2	9,2	black	5000	0
050000200003000	A 20	24,2	19,8	23,3	18,9	white	500	14000
050000200001000	A 20	24,2	19,8	23,3	18,9	black	5000	0

Please note that the product illustrations are exemplary images that could deviate from the ordered/delivered products.

All of the dimensions are in mm should nothing to the contrary be stated.

* SW = Spanner opening, n.w. = not detachable, o. K. = excl. The head, o. B. = excl. The collar, m. R. = with the radius, MOQ = Minimum Order Quantity.

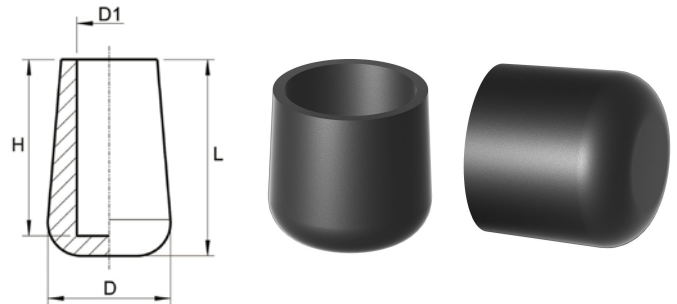
! We exclusively sell to the trade and industry. Please note our minimum order quantities and the minimum order value per delivery. We would be pleased to send you an offer that is tailored to your needs should you require special colours, deviating dimensions, bioplastics, or larger order quantities.

Caps for round tubes

A



Application for round tubes
Material Polyethylene
Standard-Colour black, white



Order No.	Article	Head \varnothing	Inside \varnothing	Length	Height	Color	packing unit	MOQ
		D	D1	L	H			
050000210001000	A 21	26,4	21,0	27,1	21,4	black	3000	3000
050000210003000	A 21	26,4	21,0	27,1	21,4	white	3000	3000
050000220001000	A 22	25,4	21,6	24,1	20,1	black	3000	0
050000240001000	A 24	28,4	23,7	27,5	21,1	black	3000	12000
050000220003000	A 22	25,4	21,6	24,1	20,1	white	3000	21000
050000240003000	A 24	28,4	23,7	27,5	21,1	white	3000	12000
050000250003000	A 25	28,1	24,9	30,6	24,8	white	2000	12000
050000250001000	A 25	28,1	24,9	30,6	24,8	black	2000	0
050000270001000	A 27	32,8	25,8-26,5	30,6	25,4	black	1000	0
050000270003000	A 27	32,8	25,8-26,5	30,6	25,4	white	1000	2000
050000280001000	A 28	32,8	27,5	28,8	23,9	black	1000	0
050000280003000	A 28	32,8	27,5	28,8	23,9	white	1000	12000
050000300001000	A 30	33,8	29,5	29,2	24,2	black	1000	10000
050000300003000	A 30	33,8	29,5	29,2	24,2	white	1000	10000

Please note that the product illustrations are exemplary images that could deviate from the ordered/delivered products.

All of the dimensions are in mm should nothing to the contrary be stated.

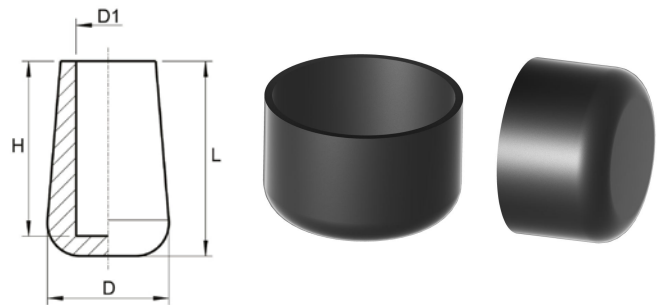
* SW = Spanner opening, n.w. = not detachable, o. K. = excl. The head, o. B. = excl. The collar, m. R. = with the radius, MOQ = Minimum Order Quantity.

! We exclusively sell to the trade and industry. Please note our minimum order quantities and the minimum order value per delivery. We would be pleased to send you an offer that is tailored to your needs should you require special colours, deviating dimensions, bioplastics, or larger order quantities.

Caps for round tubes

A-PVC

Application for round tubes
Material polyvinyl chloride



Order No.	Article	Head \varnothing	Inside \varnothing	Length	Height	Color	packing unit	MOQ
		D	D1	L	H			
052000300001000	A/PVC 30	34,0	29,8	31,1	25,0	black	900	0
052000320001000	A/PVC 32	36,0	31,8	30,8	25,5	black	800	0
052000340001000	A/PVC 34	38,0	33,8	31,5	24,7	black	700	0
052000350001000	A/PVC 35	39,0	35,0	31,2	25,0	black	700	0
052000380001000	A/PVC 38	42,5	37,9	33,0	24,0	black	550	0
052000400001000	A/PVC 40	44,5	39,9	32,0	26,5	black	550	0
052000420001000	A/PVC 42	46,0	41,8	33,0	24,0	black	500	0
052000430001000	A/PVC 43	47,0	42,8	32,3	26,2	black	500	0
052000450001000	A/PVC 45	49,0	44,4	33,7	25,4	black	450	0
052000480001000	A/PVC 48	52,5	47,9	32,8	24,8	black	400	0
052000490001000	A/PVC 49	53,0	48,4	33,8	27,4	black	400	0
052000540001000	A/PVC 54	57,5	53,1	34,3	25,5	black	350	0
052000590001000	A/PVC 59	64,0	58,8	37,0	26,8	black	250	0
052000630001000	A/PVC 63	68,0	63,0	37,5	27,5	black	225	0
052000690001000	A/PVC 69	73,5	68,5	37,5	27,5	black	200	0
052000750001000	A/PVC 75	80,0	74,6	40,5	28,0	black	150	0
052000900001000	A/PVC 90	96,0	89,6	44,0	31,0	black	100	0

Please note that the product illustrations are exemplary images that could deviate from the ordered/delivered products.

All of the dimensions are in mm should nothing to the contrary be stated.

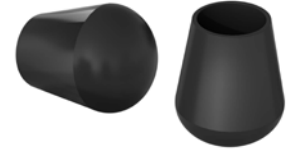
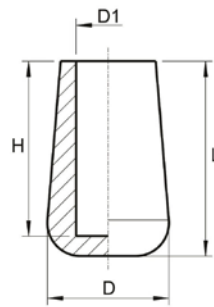
* SW = Spanner opening, n.w. = not detachable, o. K. = excl. The head, o. B. = excl. The collar, m. R. = with the radius, MOQ = Minimum Order Quantity.

! We exclusively sell to the trade and industry. Please note our minimum order quantities and the minimum order value per delivery. We would be pleased to send you an offer that is tailored to your needs should you require special colours, deviating dimensions, bioplastics, or larger order quantities.

Caps for round tubes

AS-PVC

Application for round tubes
Material polyvinyl chloride



Order No.	Article	Head \varnothing	Inside \varnothing	Length	Height	Color	packing unit	MOQ
		D	D1	L	H			
052100020001000	AS/PVC 2,8	8,3	2,8	12,4	9,5	black	1000	0
052100030001000	AS/PVC 3,5	8,3	3,4	12,4	9,8	black	1000	0
052100040001000	AS/PVC 4,0	9,2	3,9	13,0	9,8	black	1000	0
052100050001000	AS/PVC 4,8	11,0	4,8	14,0	10,8	black	1000	0
052100060001000	AS/PVC 5,8	11,1	5,7	14,3	12,2	black	1000	0
052100080001000	AS/PVC 8,0	13,3	8,0	17,8	15,0	black	1000	0

Please note that the product illustrations are exemplary images that could deviate from the ordered/delivered products.

All of the dimensions are in mm should nothing to the contrary be stated.

* SW = Spanner opening, n.w. = not detachable, o. K. = excl. The head, o. B. = excl. The collar, m. R. = with the radius, MOQ = Minimum Order Quantity.



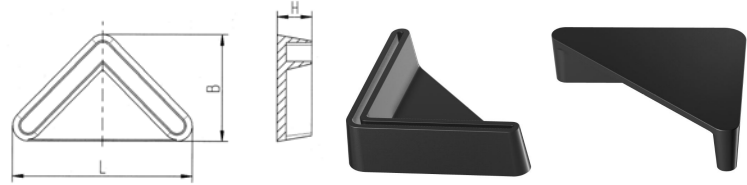
We exclusively sell to the trade and industry. Please note our minimum order quantities and the minimum order value per delivery.

We would be pleased to send you an offer that is tailored to your needs should you require special colours, deviating dimensions, bioplastics, or larger order quantities.

Angled caps/feet for profiles

UD

Application angled feet
Material polyethylene



Order No.	Angle profile	Wall thickness	Length	Width	Height	Color	packing unit	MOQ
			L	B	H			
089525250001001	25x25	1,5-2	42,6	26,6	11,5	black	1000	0
089530300001001	30x30	1-2,5	47,4	27,5	10,0	black	500	0
089536360001001	36x36	1,5-2,5	58,5	34,6	11,3	black	500	0
089540400001001	40x40	1,5-3	62,9	36,2	12,0	black	500	0

Please note that the product illustrations are exemplary images that could deviate from the ordered/delivered products.

All of the dimensions are in mm should nothing to the contrary be stated.

* SW = Spanner opening, n.w. = not detachable, o. K. = excl. The head, o. B. = excl. The collar, m. R. = with the radius, MOQ = Minimum Order Quantity.



We exclusively sell to the trade and industry. Please note our minimum order quantities and the minimum order value per delivery.

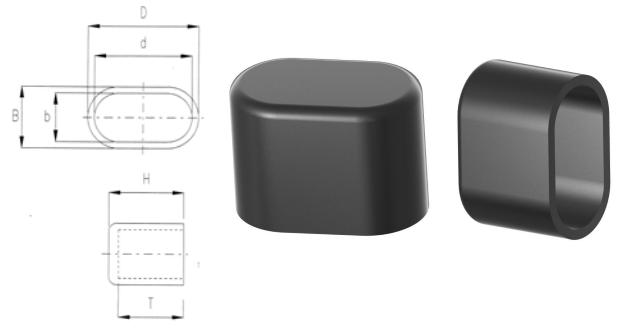
We would be pleased to send you an offer that is tailored to your needs should you require special colours, deviating dimensions, bioplastics, or larger order quantities.

Caps for oval tubes

FOK



Application for oval tubes
Material polyethylene
Standard-Colour black, white



Order No.	Version	Tube size	Head	Height	Shaft	Plug-in depth	Color	packing unit	MOQ
			D x B	H	d x b	T			
064030150001000	F	30x15	32,0x19,0	23,0	28,3x15,0	20,5	black	1000	3000
064030150003000	F	30x15	32,0x19,0	23,0	28,3x15,0	20,5	white	1000	3000
064038200001000	G	38x20	41,0x23,3	24,0	37,5x19,0	19,0	black	1000	0
064038200003000	G	38x20	41,0x23,3	24,0	37,5x19,0	19,0	white	1000	0

Please note that the product illustrations are exemplary images that could deviate from the ordered/delivered products.

All of the dimensions are in mm should nothing to the contrary be stated.

* SW = Spanner opening, n.w. = not detachable, o. K. = excl. The head, o. B. = excl. The collar, m. R. = with the radius, MOQ = Minimum Order Quantity.

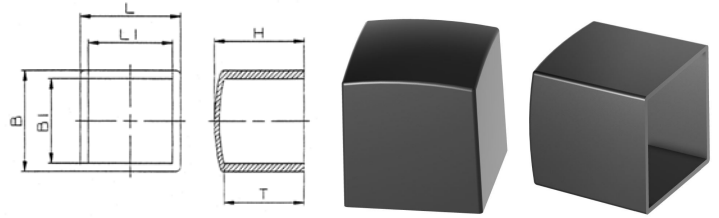
We exclusively sell to the trade and industry. Please note our minimum order quantities and the minimum order value per delivery. We would be pleased to send you an offer that is tailored to your needs should you require special colours, deviating dimensions, bioplastics, or larger order quantities.

Caps for square and rectangular tubes

U



Application for rectangular and square tubes
Material polyethylene



Order No.	Tube size	Dimension	Total height	Plug-in depth	Inside dimension	Color	packing unit	MOQ
		L x B	H	T	L1 x B1			
089020200001001	20x20	24,2 x 24,2	26,5	24,0	20,7 x 20,7	black	500	0
089025250001000	25x25	29,8 x 29,8	26,9	23,6	25,1 x 25,1	black	2000	0
089030150001001	30x15	33,3 x 17,8	24,7	22,5	30,1 x 14,5	black	500	0
089030300001000	30x30	33,5 x 33,5	32,4	27,9	29,6 x 29,6	black	500	0
089040200001000	40x20	42,4 x 23,3	10,2	7,4	39,7 x 20,1	black	2500	0
089040400001000	40x40	43,5 x 43,5	31,7	28,0	39,7 x 39,7	black	500	0
089050500001000	50x50	53,3 x 53,5	31,7	27,5	49,9 x 49,7	black	500	0

Please note that the product illustrations are exemplary images that could deviate from the ordered/delivered products.
All of the dimensions are in mm should nothing to the contrary be stated.

* SW = Spanner opening, n.w. = not detachable, o. K. = excl. The head, o. B. = excl. The collar, m. R. = with the radius, MOQ = Minimum Order Quantity.

We exclusively sell to the trade and industry. Please note our minimum order quantities and the minimum order value per delivery.
We would be pleased to send you an offer that is tailored to your needs should you require special colours, deviating dimensions, bioplastics, or larger order quantities.