

6

Height adjustment



YG2

Page: 2



JLR

Page: 3



JXB

Page: 4



JXF 1

Page: 5



JXF 2

Page: 6



JXL

Page: 7



JXM

Page: 8



JL 1

Page: 9



JL 2

Page: 10



JL 3

Page: 11



JLA 1

Page: 12



JLA 3

Page: 13



JXQ 1

Page: 14



JXQ 2

Page: 15



JXV

Page: 16



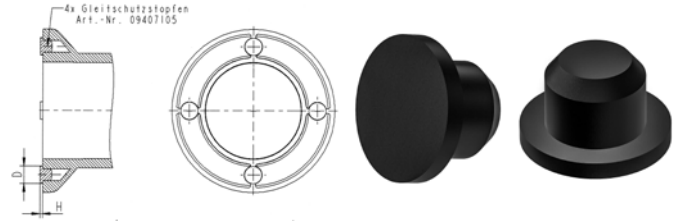
Non-slip plugs

YG2

Application

Material polyethylene

Standard-Colour uncolored



Order No.	Head \varnothing	Head height	For drilled hole \varnothing	Color	packing unit	MOQ
094071050004001	7,5	1,0	5,0	nature	1000	0

Please note that the product illustrations are exemplary images that could deviate from the ordered/delivered products.

All of the dimensions are in mm should nothing to the contrary be stated.

* SW = Spanner opening, n.w. = not detachable, o. K. = excl. The head, o. B. = excl. The collar, m. R. = with the radius, MOQ = Minimum Order Quantity.



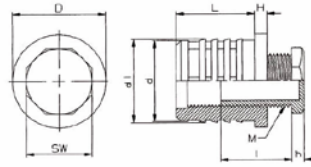
We exclusively sell to the trade and industry. Please note our minimum order quantities and the minimum order value per delivery.

We would be pleased to send you an offer that is tailored to your needs should you require special colours, deviating dimensions, bioplastics, or larger order quantities.

Adjustable feet with plastic thread

JLR

Application for round tubes
Material polyamide



Order No.	Tube outside \varnothing	Height	Ribs \varnothing	Length	Adjusting screw	SW	Color	packing unit	MOQ
	D	H	d1 / d	L	M x l x h				
070000200001000	20x1-1,5	5,0	19,0 / 16,0	33,0	12x27x5,0	19	black	2000	0
070000220001000	22x1,5-2	5,0	20,5 / 17,5	33,0	12x27x5,0	19	black	4000	4000
070000250001000	25x1-2	5,0	23,5 / 19,5	33,0	12x27x5,0	19	black	1500	0
070000280001000	28x1-2	5,0	26,5 / 22,5	33,0	16x31x5,0	27	black	1250	0
070000300001000	30x1,5-2	5,0	29,0 / 25,5	26,0	22x29x5,0	27	black	1250	0
070000320001000	32x1-2	5,0	29,5 / 27,0	33,0	22x29x5,0	27	black	1000	0
070000350001000	35x1-2	5,0	33,5 / 29,0	33,0	22x29x5,0	27	black	250	0
070000380001000	38x1,5-2	5,0	34,5 / 33,0	33,0	22x29x5,0	27	black	750	0
070000400001000	40x1-2	5,0	38,5 / 36,0	33,0	22x29x5,0	27	black	600	0
070000420001000	42x1,5-2	5,0	40,5 / 37,0	33,0	22x29x5,0	27	black	600	0
070000450001000	45x1,5-2	5,0	41,5 / 40,5	33,0	22x29x5,0	27	black	500	0
070000500001000	50x1,5-2	5,0	47,5 / 43,5	33,0	22x29x5,0	27	black	400	0

Please note that the product illustrations are exemplary images that could deviate from the ordered/delivered products.

All of the dimensions are in mm should nothing to the contrary be stated.

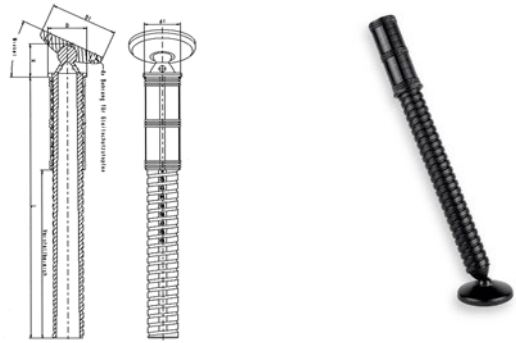
* SW = Spanner opening, n.w. = not detachable, o. K. = excl. The head, o. B. = excl. The collar, m. R. = with the radius, MOQ = Minimum Order Quantity.

! We exclusively sell to the trade and industry. Please note our minimum order quantities and the minimum order value per delivery. We would be pleased to send you an offer that is tailored to your needs should you require special colours, deviating dimensions, bioplastics, or larger order quantities.

Height adjustment with movable base

JXB

Application for round tubes
Material polyamide GF



Order No.	Tube outside Ø	Rib Ø	Screwed in height	Adjusting angle	Base outside Ø	Total length L	Adjustment range	Color	packing unit	MOQ
	D	d1	H		D1	L				
070011400001000	40x1,5	37,3	34,0	0-40°	68,0	270,0	170	black	80	0
070041400001000	40x1,5	37,3	34,0	0-40°	68,0	185,0	100	black	80	0
070012400001000	40x2	36,5	34,0	0-40°	68,0	270,0	170	black	80	0
070042400001000	40x2	36,5	34,0	0-40°	68,0	185,0	100	black	100	0
070041420001000	42x1,5	39,3	34,0	0-40°	68,0	185,0	100	black	100	0
070012420001000	42x2	38,3	34,0	0-40°	68,0	270,0	170	black	80	0
070042420001000	42x2	38,3	34,0	0-40°	68,0	185,0	100	black	100	0

Please note that the product illustrations are exemplary images that could deviate from the ordered/delivered products.
All of the dimensions are in mm should nothing to the contrary be stated.

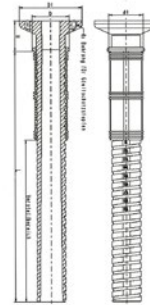
* SW = Spanner opening, n.w. = not detachable, o. K. = excl. The head, o. B. = excl. The collar, m. R. = with the radius, MOQ = Minimum Order Quantity.

We exclusively sell to the trade and industry. Please note our minimum order quantities and the minimum order value per delivery.
We would be pleased to send you an offer that is tailored to your needs should you require special colours, deviating dimensions, bioplastics, or larger order quantities.

Height adjustment with fixed large base

JXF 1

Application for round tubes
Material polyamide GF



Order No.	Tube outside ø	Rib ø	Screwed in spindle	Base outside ø	Total length	Max. adjustment range	Color	packing unit	MOQ
	D	d1	H	D1	L				
070001400001000	40 x 1,5	37,3	20,5	68,0	283,5	170	black	50	0
070031400001000	40 x 1,5	37,3	20,5	68,0	198,5	100	black	100	0
070002400001000	40 x 2	36,5	20,5	68,0	283,5	170	black	50	0
070032400001000	40 x 2	36,5	20,5	68,0	198,5	100	black	100	0
070001420001000	42 x 1,5	39,3	20,5	68,0	283,5	170	black	50	0
070031420001000	42 x 1,5	39,3	20,5	68,0	198,5	100	black	100	0
070032420001000	42 x 2	38,3	20,5	68,0	198,5	100	black	100	500

Please note that the product illustrations are exemplary images that could deviate from the ordered/delivered products.
All of the dimensions are in mm should nothing to the contrary be stated.

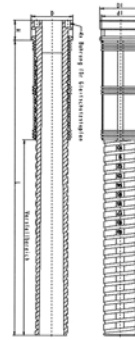
* SW = Spanner opening, n.w. = not detachable, o. K. = excl. The head, o. B. = excl. The collar, m. R. = with the radius, MOQ = Minimum Order Quantity.

We exclusively sell to the trade and industry. Please note our minimum order quantities and the minimum order value per delivery.
We would be pleased to send you an offer that is tailored to your needs should you require special colours, deviating dimensions, bioplastics, or larger order quantities.

Height adjustment with fixed small base

JXF 2

Application for round tubes
Material polyamide GF



Order No.	Tube outside ø	Rib ø	Screwed in spindle	Base outside ø	Total length	Max. adjustment range	Color	packing unit	MOQ
	D	d1	H	D1	L				
070071400001000	40 x 1,5	37,3	20,5	40,0	283,5	170	black	100	0
070371400001000	40 x 1,5	37,3	20,5	40,0	198,5	100	black	100	0
070072400001000	40 x 2	36,5	20,5	40,0	283,5	170	black	100	0
070372400001000	40 x 2	36,5	20,5	40,0	198,5	100	black	100	0
070071420001000	42 x 1,5	39,3	20,5	40,0	283,5	170	black	50	0
070371420001000	42 x 1,5	39,3	20,5	40,0	198,5	100	black	50	0
070072420001000	42 x 2	38,3	20,5	40,0	283,5	170	black	50	0
070372420001000	42 x 2	38,3	20,5	40,0	198,5	100	black	50	0

Please note that the product illustrations are exemplary images that could deviate from the ordered/delivered products.

All of the dimensions are in mm should nothing to the contrary be stated.

* SW = Spanner opening, n.w. = not detachable, o. K. = excl. The head, o. B. = excl. The collar, m. R. = with the radius, MOQ = Minimum Order Quantity.



We exclusively sell to the trade and industry. Please note our minimum order quantities and the minimum order value per delivery.

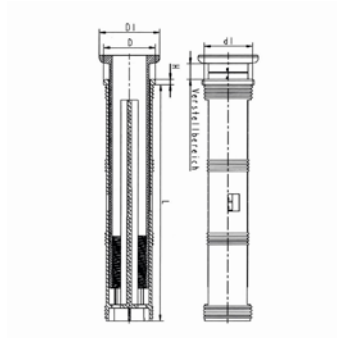
We would be pleased to send you an offer that is tailored to your needs should you require special colours, deviating dimensions, bioplastics, or larger order quantities.

Height adjustment

JXL



Application for round tubes
Material acrylonitrile butadiene styrene



Order No.	Tube outside \varnothing	Rib \varnothing	Flange height	Base outside \varnothing	Adjustment range	Color	packing unit	MOQ
	D	d1	H	D1				
070011600001000	60x1,5	57,3	6,0	70,0	0-200	black	50	0
070012600001000	60x2,0	56,3	6,0	70,0	0-200	black	50	0
070001600001000	60x1,5	57,3	6,0	SW 60	0-200	black	50	0
070002600001000	60x2,0	56,3	6,0	SW 60	0-200	black	50	0

Please note that the product illustrations are exemplary images that could deviate from the ordered/delivered products.

All of the dimensions are in mm should nothing to the contrary be stated.

* SW = Spanner opening, n.w. = not detachable, o. K. = excl. The head, o. B. = excl. The collar, m. R. = with the radius, MOQ = Minimum Order Quantity.



We exclusively sell to the trade and industry. Please note our minimum order quantities and the minimum order value per delivery.

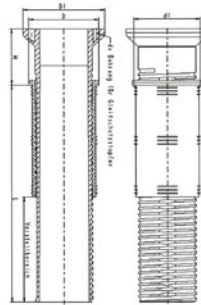
We would be pleased to send you an offer that is tailored to your needs should you require special colours, deviating dimensions, bioplastics, or larger order quantities.

Height adjustment

JXM



Application for round tubes
Material acrylonitrile butadiene styrene



Order No.	Tube outside ∅	Rib ∅	Screwed in spindle	Base outside ∅	Total length	Adjustment range	Color	packing unit	MOQ
	D	d1	H	D1	L				
070019510001000	50 x 1,5	47,3	20,5	50,0	213	120	black	75	0
070019660001000	60 x 1,5	57,3	20,5	60	213	120	black	50	0
070018660001000	60 x 2	56,3	20,5	60	213	120	black	50	0
070019530001000	50 x 1,5	47,3	20,5	60	313	200	black	60	0
070018610001000	60 x 2	56,3	20,5	66	213	120	black	50	0
070019610001000	60 x 1,5	57,3	20,5	66	213	120	black	50	0
070018530001000	50 x 2	46,3	20,5	60	313	200	black	60	0
070018510001000	50 x 2	46,3	20,5	50,0	213	120	black	75	0
070019500001000	50 x 1,5	47,3	20,5	60,0	213	120	black	80	0
070018500001000	50 x 2	46,3	20,5	60,0	213	120	black	50	0
070018550001000	55 x 2	51,2	20,5	65,0	213	120	black	50	0
070019600001000	60 x 1,5	57,3	20,5	70,0	213	120	black	50	0
070018600001000	60 x 2	56,3	20,5	70,0	213	120	black	50	0

Please note that the product illustrations are exemplary images that could deviate from the ordered/delivered products.

All of the dimensions are in mm should nothing to the contrary be stated.

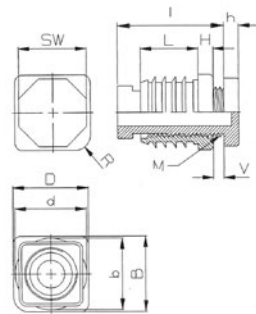
* SW = Spanner opening, n.w. = not detachable, o. K. = excl. The head, o. B. = excl. The collar, m. R. = with the radius, MOQ = Minimum Order Quantity.

! We exclusively sell to the trade and industry. Please note our minimum order quantities and the minimum order value per delivery. We would be pleased to send you an offer that is tailored to your needs should you require special colours, deviating dimensions, bioplastics, or larger order quantities.

Adjustable feet with plastic trapezoid thread

JL 1

Application for square and rectangular tubes
Material polyamide



Order No.	Tube dimension	Height	Ribbed section	Length	Adjusting screw	SW	Radius	Color	packing unit	MOQ
	D x B	H	d x b	L	M x l x h		R			
072030300001000	30x30x1-2	6,0	28,7x28,7	23,0	20x4x20x5,0	27	-	black	500	0
072130300001000	30x30x1-2	6,0	28,7x28,7	23,0	20x4x20x5,0	27	R6	black	500	0

Please note that the product illustrations are exemplary images that could deviate from the ordered/delivered products.

All of the dimensions are in mm should nothing to the contrary be stated.

* SW = Spanner opening, n.w. = not detachable, o. K. = excl. The head, o. B. = excl. The collar, m. R. = with the radius, MOQ = Minimum Order Quantity.



We exclusively sell to the trade and industry. Please note our minimum order quantities and the minimum order value per delivery.

We would be pleased to send you an offer that is tailored to your needs should you require special colours, deviating dimensions, bioplastics, or larger order quantities.

Adjustable feet with plastic thread

JL 2

Application for square and rectangular tubes
Material polyethylene, polyamide



Order No.	Tube dimension	Tube wall thickness	Height	Ribbed section	Length	Adjusting screw	SW	Radius	Color	packing unit	MOQ
	D x B		H	d x b	L	M x l x h		R			
070020200001001	20x20	1,5-2	5,0	17,4x17,4	17,0	10x24x4,0	20	-	black	350	0
070025250001000	25x25	1-2	5,5	23,3x23,3	25,0	16x26x6,0	27	-	black	1000	0
070125250001000	25x25	1-2	5,5	23,3x23,3	25,0	16x26x6,0	27	R6	black	1000	0
070030300001000	30x30	1-2	5,5	28,6x28,6	23,0	20x25x6,0	27	-	black	1000	0
070130300001001	30x30	1-2	5,5	28,6x28,6	23,0	20x25x6,0	27	R6	black	100	0
070035350001000	35x35	1,5	5,0	32,5x32,5	29,2	22x20x5,0	28	-	black	550	0
070040400001000	40x40	1,5 - 2	5,0	37,0x37,0	29,0	22x20x5,0	28	-	black	425	0
070030200001000	30x20	1-2	5,0	28,5x18,0	32,0	12x27x5,0	20	-	black	1250	0
070040200001000	40x20	1,5	5,0	39,5x17,5	32,0	12x27x5,0	20	-	black	1000	0
070040300001000	40x30	1-2	5,0	38,5x28,5	32,0	22x30x5,0	28	-	black	700	0
070340300001000	40x30	3	5,0	35,0x25,0	32,0	22x30x5,0	28	-	black	250	0
070050200001000	50x20	1-2	5,0	48,5x18,5	32,0	12x30x5,0	20	-	black	750	0
070060300001000	60x30	1-2	5,0	58,5x28,5	32,0	22x47x5,0	27	-	black	500	0

Please note that the product illustrations are exemplary images that could deviate from the ordered/delivered products.

All of the dimensions are in mm should nothing to the contrary be stated.

* SW = Spanner opening, n.w. = not detachable, o. K. = excl. The head, o. B. = excl. The collar, m. R. = with the radius, MOQ = Minimum Order Quantity.

We exclusively sell to the trade and industry. Please note our minimum order quantities and the minimum order value per delivery. We would be pleased to send you an offer that is tailored to your needs should you require special colours, deviating dimensions, bioplastics, or larger order quantities.

Adjustable feet with plastic trapezoid thread

JL 3

Application for square and rectangular tubes

Material polyethylene



Order No.	Tube dimension	Height	Ribbed section	Length	Adjusting screw	SW	Radius	Color	packing unit	MOQ
	D x B	H	d x b	L	Tr x l x h		R			
071030300001000	30x30x1-2	6,0	28,7x28,7	22,0	20x4x20x5,0	27	-	black	500	0
071130300001000	30x30x1-2	6,0	28,7x28,7	22,0	20x4x20x5,0	27	R6	black	500	0
071050300001000	50x30x1,5	9,5	48,5x28,3	20,0	20x4x20x5,0	27	-	black	500	0

Please note that the product illustrations are exemplary images that could deviate from the ordered/delivered products.

All of the dimensions are in mm should nothing to the contrary be stated.

* SW = Spanner opening, n.w. = not detachable, o. K. = excl. The head, o. B. = excl. The collar, m. R. = with the radius, MOQ = Minimum Order Quantity.



We exclusively sell to the trade and industry. Please note our minimum order quantities and the minimum order value per delivery.

We would be pleased to send you an offer that is tailored to your needs should you require special colours, deviating dimensions, bioplastics, or larger order quantities.

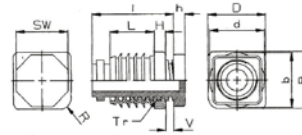


Adjustable feet with plastic thread and internal safety ring

JLA 1


Application for square tubes

Material polyethylene



Order No.	Tube dimension	Height	Ribbed section	Length	Adjusting screw	SW	Radius		Color	packing unit	MOQ
	D x B	H	d x b	L	M x l x h		V	R			
073030300001000	30x30x1-2	5,5	28,6x28,6	23,0	20x41x6,0	27	0-10	-	black	500	0
073130300001000	30x30x1-2	5,5	28,6x28,6	23,0	20x41x6,0	27	0-10	R6	black	500	0

Please note that the product illustrations are exemplary images that could deviate from the ordered/delivered products.

All of the dimensions are in mm should nothing to the contrary be stated.

* SW = Spanner opening, n.w. = not detachable, o. K. = excl. The head, o. B. = excl. The collar, m. R. = with the radius, MOQ = Minimum Order Quantity.



We exclusively sell to the trade and industry. Please note our minimum order quantities and the minimum order value per delivery.

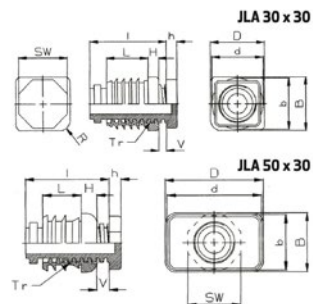
We would be pleased to send you an offer that is tailored to your needs should you require special colours, deviating dimensions, bioplastics, or larger order quantities.

Adjustable feet with plastic thread and internal safety ring

JLA 3


Application for square and rectangular tubes

Material polyethylene



Order No.	Tube dimension	Height	Ribbed section	Length	Adjusting screw	SW	Radius	Color	packing unit	MOQ	
	D x B	H	d x b	L	Tr x l x h	V	R				
074030300001000	30x30x1-2	6,0	28,6x28,6	22,0	20x4x42x5,0	27	0-10	-	black	500	0
074130300001000	30x30x1-2	6,0	28,6x28,6	22,0	20x4x42x5,0	27	0-10	R6	black	500	0
074050300001000	50x30x1,5	9,5	48,5x28,3	20,0	20x4x42x5,0	27	0-10	-	black	500	0

Please note that the product illustrations are exemplary images that could deviate from the ordered/delivered products.

All of the dimensions are in mm should nothing to the contrary be stated.

* SW = Spanner opening, n.w. = not detachable, o. K. = excl. The head, o. B. = excl. The collar, m. R. = with the radius, MOQ = Minimum Order Quantity.



We exclusively sell to the trade and industry. Please note our minimum order quantities and the minimum order value per delivery.

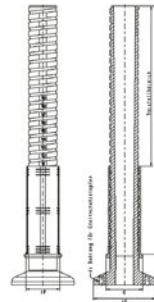
We would be pleased to send you an offer that is tailored to your needs should you require special colours, deviating dimensions, bioplastics, or larger order quantities.

Height adjustment

JXQ 1


Application for square tubes

Material polyamide GF



Order No.	Tube dimension	Rib \varnothing	Screwed in spindle	Base outside \varnothing	Total length	Adjustment range	Color	packing unit	MOQ
	D	d1	H	D1	L				
070084400001000	40x40x1,5	37,5x37,5	20,5	68	283,5	170	black	50	0
070094400001000	40x40x1,5	37,5x37,5	20,5	68	198,5	100	black	100	0
070084010001000	40x40x1,5	37,5x37,5	20,5	40	283,5	170	black	100	0
070094020001000	40x40x1,5	37,5x37,5	20,5	40	198,5	100	black	100	0
070024400001000	40 x 40 x 2	36,5 x 36,5	20,5	68	283,5	170	black	50	0
070034400001000	40 x 40 x 2	36,5 x 36,5	20,5	68	198,5	100	black	50	0
070044010001000	40 x 40 x 2	36,5 x 36,5	20,5	40	283,5	170	black	100	0
070044020001000	40 x 40 x 2	36,5 x 36,5	20,5	40	198,5	100	black	100	0

Please note that the product illustrations are exemplary images that could deviate from the ordered/delivered products.

All of the dimensions are in mm should nothing to the contrary be stated.

* SW = Spanner opening, n.w. = not detachable, o. K. = excl. The head, o. B. = excl. The collar, m. R. = with the radius, MOQ = Minimum Order Quantity.



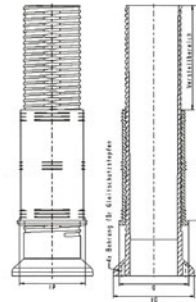
We exclusively sell to the trade and industry. Please note our minimum order quantities and the minimum order value per delivery.

We would be pleased to send you an offer that is tailored to your needs should you require special colours, deviating dimensions, bioplastics, or larger order quantities.

Height adjustment

JXQ 2


Application for square tubes
 Material acrylonitrile butadiene styrene



Order No.	Tube dimension	Rib dimension Ø	Screwed in spindle	Base outside Ø	Base outside	Total length	Adjustment range	Color	packing unit	MOQ
	D	d1	H	D1	D1 x D1	L				
070035510001000	50x50x1,5	47,5x47,5	20,5	50,0	-	213	120	black	80	0
070026670001000	60x60x2	56,5x56,5	20,5	66	-	213	120	black	50	0
070026660001000	60x60x2	56,5x56,5	20,5	60	-	213	120	black	50	0
070025520001000	50x50x2	46,5x46,5	20,5	60	-	313	200	black	60	0
070025510001000	50x50x2	46,5x46,5	20,5	50,0	-	213	120	black	75	0
070035500001000	50x50x1,5	47,5x47,5	20,5	60,0	-	213	120	black	50	0
070025500001000	50x50x2	46,5x46,5	20,5	60,0	-	213	120	black	50	0
070045500001000	50x50x2	46,5x46,5	20,5	-	50x50	213	120	black	100	0
070055500001000	50x50x1,5	47,5x47,5	20,5	-	50x50	213	120	black	100	0
070026600001000	60x60x2	56,5x56x5	20,5	70,0	-	213	120	black	50	0

Please note that the product illustrations are exemplary images that could deviate from the ordered/delivered products.

All of the dimensions are in mm should nothing to the contrary be stated.

* SW = Spanner opening, n.w. = not detachable, o. K. = excl. The head, o. B. = excl. The collar, m. R. = with the radius, MOQ = Minimum Order Quantity.



We exclusively sell to the trade and industry. Please note our minimum order quantities and the minimum order value per delivery.

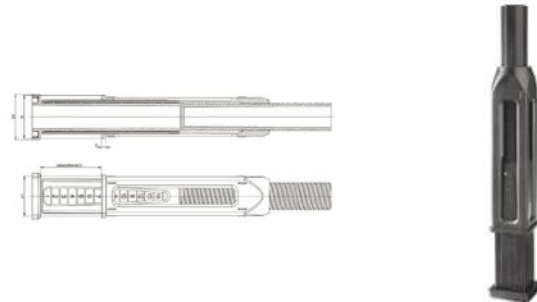
We would be pleased to send you an offer that is tailored to your needs should you require special colours, deviating dimensions, bioplastics, or larger order quantities.

Height adjustment

JXV



Application for square tubes
Material ABS



Order No.	Tube dimension	Rib dimension	Flange height	Foot dimension	Adjustment range	Color	packing unit	MOQ
	D	d1	H	D1				
070090500001000	50x50x2	46,8x46,8	5,0	53,0x53,0	0-140	black	60	0

Please note that the product illustrations are exemplary images that could deviate from the ordered/delivered products.

All of the dimensions are in mm should nothing to the contrary be stated.

* SW = Spanner opening, n.w. = not detachable, o. K. = excl. The head, o. B. = excl. The collar, m. R. = with the radius, MOQ = Minimum Order Quantity.



We exclusively sell to the trade and industry. Please note our minimum order quantities and the minimum order value per delivery.

We would be pleased to send you an offer that is tailored to your needs should you require special colours, deviating dimensions, bioplastics, or larger order quantities.